

Furon® Q-Valve

Manually Actuated, Quarter-Turn 2-Way Valve (1/4", 1/2", 3/4" Orifice)



Features/Benefits

- 100% virgin injection molded high purity PFA and PTFE wetted flow path
- Transparent actuation components
- Bi-directional flow
- Leak detection port (1/4-28 UNF)
- "Place and turn" integrated mounting base
- Patented diaphragm technology
- Patented seat interface technology
- Mounting pattern and port dimensions interchangeable with major competitors
- Metal free valve

Operation

The Furon® Q-Valve was developed to provide a high performance, low cost solution that insures reliable fluid delivery to critical process applications. The Q-valve offers "Drop-in" replacement capability that meets or exceeds competitive product offering's performance and function.

- Manually operated quarter-turn on/off valve control

Applications

The Q-Valve Product Line is ideal for applications that demand high-purity construction, combined with the smaller footprint required by cost-conscious customers. The Primary applications are ultra high-purity chemical delivery for chip makers, chemical management, chemical processing, bio-pharmaceutical and life sciences.

Furon® Q-Valve

Manually Actuated, Quarter-Turn 2-Way Valves (1/4", 1/2", 3/4" Orifice)

Ordering Information

| PART NO. | END CONNECTION | ORIFICE | PORT SIZE | A | B | C | D | E |
|---------------|----------------|---------|-----------|----------------|---------------|---------------|----------------|----------------|
| QV2-F44-M-I | FLAREGRIP® II | 1/4" | 1/4" | 3.59 (91.2mm) | 0.57 (10.2mm) | 1.61 (44.0mm) | 4.38 (111.2mm) | 2.94 (74.6mm) |
| QV2-F46-M-I | FLAREGRIP II | 1/4" | 3/8" | 4.13 (105mm) | | | | |
| QV2-744-M | FUSEBOND™ | 1/4" | 1/4" | 4.00 (101.6mm) | | | | |
| QV2-144-M | FNPT | 1/4" | 1/4" | 2.35 (59.8mm) | | | | |
| QV2-F88-M-I | FLAREGRIP II | 1/2" | 1/2" | 4.48 (113.8mm) | 0.73 (18.5mm) | 1.85 (47.0mm) | 5.01 (127.2mm) | 2.94 (74.6mm) |
| QV2-F812-M-I | FLAREGRIP II | 1/2" | 3/4" | 5.28 (134.0mm) | | | | |
| QV2-788-M | FUSEBOND | 1/2" | 1/2" | 4.61 (117.0mm) | | | | |
| QV2-7812-M | FUSEBOND | 1/2" | 3/4" | 5.28 (134.0mm) | | | | |
| QV2-186-M | FNPT | 1/2" | 3/8" | 2.60 (66.0mm) | | | | |
| QV2-188-M | FNPT | 1/2" | 1/2" | 2.60 (66.0mm) | 0.97 (24.6mm) | 2.74 (69.5mm) | 6.63 (168.4mm) | 4.08 (103.4mm) |
| QV2-F1212-M-I | FLAREGRIP II | 3/4" | 3/4" | 6.09 (154.8mm) | | | | |
| QV2-F1216-M-I | FLAREGRIP II | 3/4" | 1" | 5.71 (145.0mm) | | | | |
| QV2-71212-M | FUSEBOND | 3/4" | 3/4" | 5.75 (146.0mm) | | | | |
| QV2-71216-M | FUSEBOND | 3/4" | 1" | 5.71 (145.0mm) | | | | |

Operating Specifications

| | 1/4" ORIFICE | 1/2" ORIFICE | 3/4" ORIFICE |
|--------------------|--------------------|--------------------|--------------------|
| OPERATING PRESSURE | 100 PSIG (6.8 BAR) | 100 PSIG (6.8 BAR) | 80 PSIG (5.5 BAR) |
| BACK PRESSURE | 100 PSIG (6.8 BAR) | 100 PSIG (6.8 BAR) | 80 PSIG (5.5 BAR) |
| FLOW | C _v 0.8 | C _v 3.5 | C _v 9.4 |

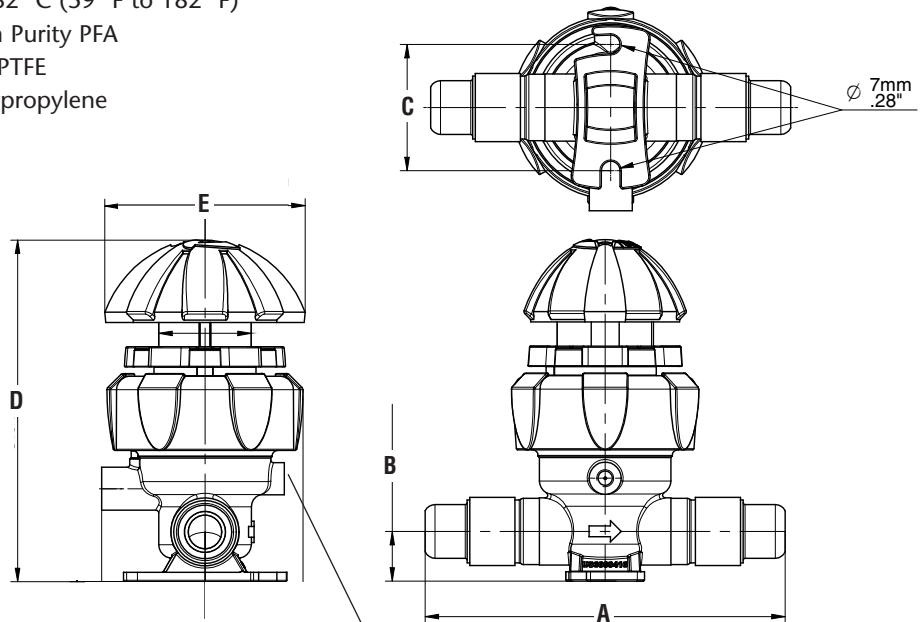
- Operating temperature: 15° C to 82° C (59° F to 182° F)
- Body: Ultra High Purity PFA
- Diaphragm: Modified PTFE
- Actuator components: Clear Polypropylene
- Standard Flare Nut Material: PVDF
- 1/4" & 1/2" Include Polypropylene Panel Mount Nut

Standard Options

- Normally Open Version
- Dual Actuation Version
- PFA Flare Nuts

Flow is calculated using QV2-F46-NC, QV2-F812NC, and QV2-F1216. When using smaller orifice connections flow will be reduced accordingly.

Pneumatic and Quarter Turn Versions are also available.



Leak Detection Port 1/4—28 UNF

Saint-Gobain Performance Plastics-USA

7301 Orangewood Avenue
Garden Grove, CA 92841-1411
Tel: (714) 630-5818
Fax: (714) 688-2614
USA Toll Free: (800) 833-5661

France

Tel: 33/(0) 1 55 68 59 59
Fax: 33/(0) 1 55 68 59 68



*Rating at ambient temperature
US Patents 6,000,416 & 6,086,039
Furon® is a registered trademark.
FlareGrip® is a registered trademark.
FuseBond™ is a trademark.

12-month Limited Warranty: For a period of 12 months from the date of first sale, Saint-Gobain Performance Plastics Corporation warrants this product to be free from defects in manufacturing. This company's only obligation will be to provide replacement product for any material proven to have such a defect, or at SGPPL's option, to refund the purchase price thereof. User assumes all other risks, if any, including the risk of injury, loss or damage, whether direct, consequential or incidental, arising out of the use, misuse, or inability to use this product. SAINT-GOBAIN PERFORMANCE PLASTICS DISCLAIMS ALL IMPLIED WARRANTIES OF MERCHANTABILITY AND FITNESS FOR A PARTICULAR PURPOSE. Saint-Gobain Performance Plastics reserves the right to change product specifications without prior notice.

NOTE: Saint-Gobain Performance Plastics Corporation does not assume any responsibility or liability for any advice furnished by it, or for the performance or results of any installation or use of the product or of any final product into which the product may be incorporated by the purchaser and/or user.