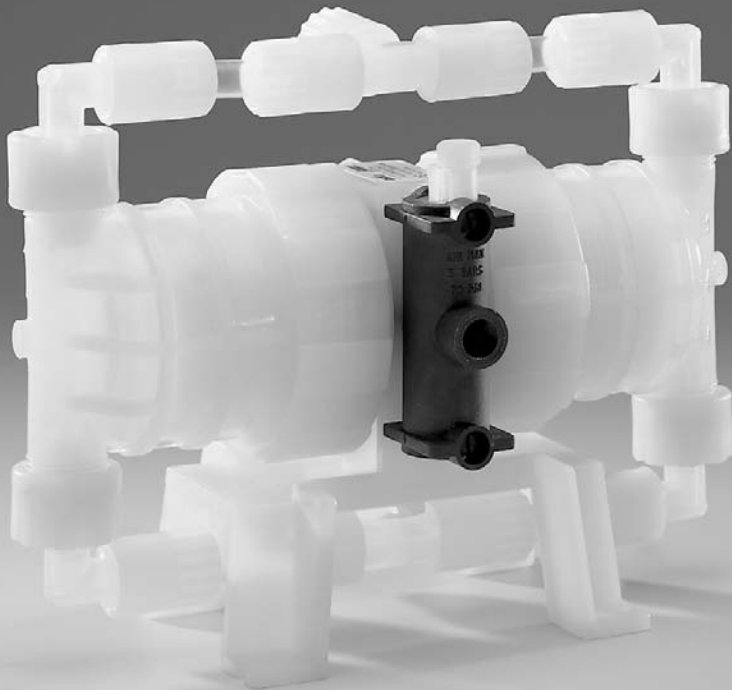


AstiPure™ PFD1 Controlled Flow Pump

2.5 GPM (10 l/min)



Features/Benefits

- No metal parts (internal or external)
- Easy maintenance
- No rotating shafts or glands to cause leakage
- Pneumatically operated (dry air or nitrogen)
- Adjustable pumping rate up to 2.5 GPM (10 l/min)
- Self priming
- Suitable for liquid temperatures from 32°F (0°C) up to 212°F (100°C)
- Compact design

Operation

The AstiPure™ PFD pumps are pneumatically operated: two bellows made from PTFE reciprocate horizontally. Their pumping frequency is much lower than an equivalent diaphragm pump and results in an extended life. Due to this low frequency and amplitude of the bellows pump, we guarantee a lower level of particle contamination.

All AstiPure PFD pump wetted components are manufactured with High Purity PFA and PTFE and are suitable for pumping even the most corrosive concentrated chemicals (acids and solvents).

All other components are manufactured with high technology materials; e.g. PVDF and PEEK, and ensure no ionic contamination of the chemical, even if there is a bellows failure.

Our pumps are assembled in our cleanroom, tested with DI water, cleaned, then double sealed in plastic bags.

Applications

- Transfer of ultrapure acids and solvents used in the semiconductor industry
- Recirculation, dispensing, and filtration with controlled flow rates and volumes
- Chemical injection and sampling.
- Transfer of chemicals and solvents in cleanrooms
- Safe transfer of corrosive chemicals and solvents in hazardous areas
- Transfer and dispensing of pharmaceuticals

AstiPure PFD1 Controlled Flow Pump 2.5 GPM (10 l/min)

Ordering Information

Part Number	Fluid Connection
PFD1 210	Flare fitting Ø 10x13 or 3/8"x1/2"
PFD1 221	Pipe thread Ø 1/2" MNPT

PFD1 210 W

Piloting		Fluid		Sealing	
F	Standard	D	Standard	None	FEP
R	Recirculation	S	Slurry	W	No seals
O	No piloting			K	Kalrez
				G	Tongue and Grove

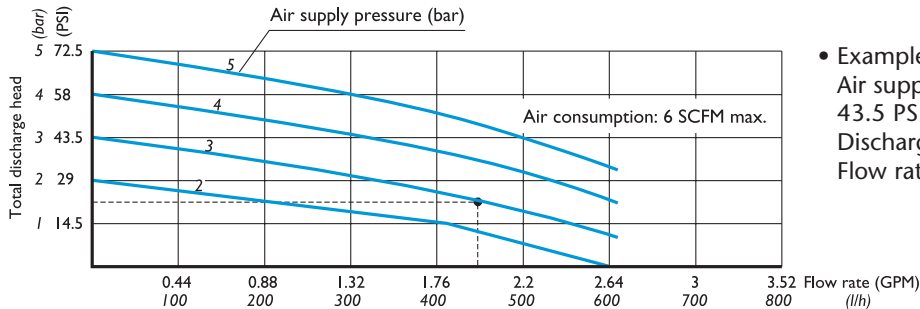
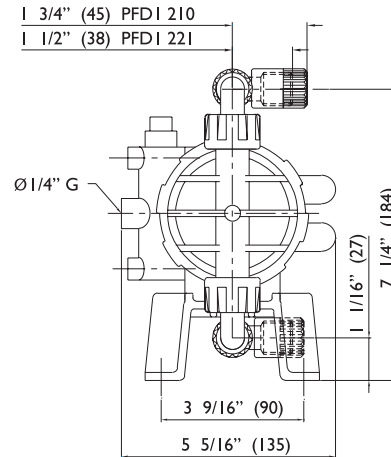
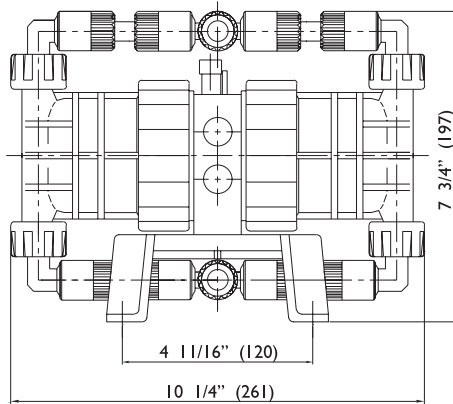
* Please call us before ordering.

Specifications

Flow rate	Max. suction head	Max. air pressure*	Max. back pressure	Max. air consumption	Max. air connection	Weight
0 - 2.5 GPM 0 - 600 l/h	10 feet 3 m	72.5 PSI 5 bar	58 PSI 4 bar	6 SCFM 10 m ³ /h	Ø 3/32" I.D. Ø 2.5 mm I.D.	4.5 lbs 2 kg

* Please ensure that the air pressure is no greater than 43.5 PSI (3 bar) when the fluid temperature is greater than 140°F (60°C).

Dimensions



- Example:
Air supply pressure: 43.5 PSI (3 bar)
Discharge head: 22 PSI (1.5 bar)
Flow rate: 2 GPM (450 l/h)

Saint-Gobain Performance Plastics-USA

7301 Orangewood Avenue
Garden Grove, CA 92841-1411
Tel: (714) 630-5818
Fax: (714) 688-2614
USA Toll Free: (800) 833-5661

France

Tel: 33/(0) 1 55 68 59 59
Fax: 33/(0) 1 55 68 59 68

Japan

Tel: 81/(0) 2 6679 6400
Fax: 81/(0) 2 6670 1001

Your sales channel



PETROLEUM TECHNICAL COMPANY SA

Chemin du Champ-des-Filles 19; CH-1228 Plan-les-Ouates
Tel.: +41 22 794 71 22 – Fax: +41 22 794 71 57
e-mail: contact@ptc-geneve.ch Web site: www.ptc-geneve.ch



AstiPure™ is a trademark.
KALREZ® is a registered trademark of DuPont.
Specifications are subject to change without notice.

12-month Limited Warranty: For a period of 12 months from the date of first sale, Saint-Gobain Performance Plastics Corporation warrants this product to be free from defects in manufacturing. This company's only obligation will be to provide replacement product for any material proven to have such a defect, or at SGPL's option, to refund the purchase price thereof. User assumes all other risks, if any, including the risk of injury, loss or damage, whether direct, consequential or incidental, arising out of the use, misuse, or inability to use this product. SAINT-GOBAIN PERFORMANCE PLASTICS DISCLAIMS ALL IMPLIED WARRANTIES OF MERCHANTABILITY AND FITNESS FOR A PARTICULAR PURPOSE.

NOTE: Saint-Gobain Performance Plastics Corporation does not assume any responsibility or liability for any advice furnished by it, or for the performance or results of any installation or use of the product or of any final product into which the product may be incorporated by the purchaser and/or user.