



Facet 21 and 22 Series filter cartridges provide long service life and high solids holding capacity with no unloading characteristics. The filter cartridges remove solids from aqueous liquids.

STANDARD DESIGN FEATURES

- Recommended maximum operating temperature: 240°F
- Maximum differential pressure: 75 psi
- pH range from 5 to 9
- Flow direction: Outside to in

MATERIALS

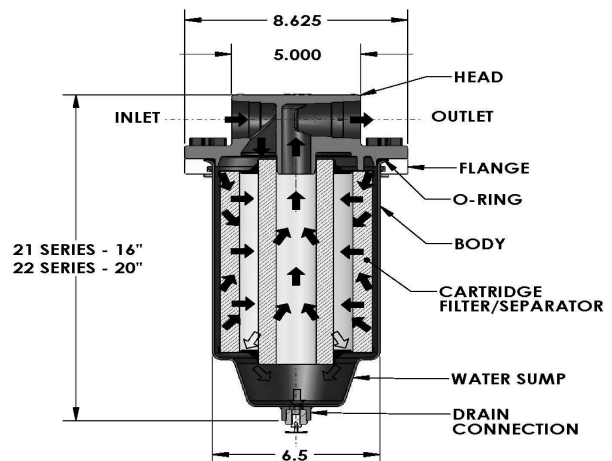
- Carbon steel structural components
- All metal components coated to protect against corrosion
- Standard gaskets are Buna-N—other materials available on request

DATA

MODEL NUMBER	OUTSIDE DIAMETER		NOMINAL LENGTH		SHIPPING WEIGHT	
	in.	mm.	in.	mm.	lbs.	kg.
21 SERIES						
CF-609-2PLO	6	152	9	230	4	1.8
22 SERIES						
CF-612-2PLO	6	152	12	300	6	2.7

FLOW RATES

MODEL NUMBER	JET FUEL				AV-GAS			
	INITIAL ΔP		FLOW		INITIAL ΔP		FLOW	
	psi	kPa	gpm	lpm	psi	kPa	gpm	lpm
21 SERIES								
CF-609-2PLO	2.1	14.5	45	170	1.2	8.3	45	170
22 SERIES								
CF-612-2PLO	3.1	21.4	60	227	1.6	11.0	60	227



- FLOW LEGEND**
- ➔ CONTAMINATED PRODUCT
 - ➔ SOLIDS FREE PRODUCT
 - ⇄ COALESCED LIQUID DROPLETS
 - ➔ CLEAN, DRY PRODUCT

Your sales channel



PETROLEUM TECHNICAL COMPANY SA

Chemin du Champ-des-Filettes 19; CH-1228 Plan-les-Ouates
Tel.: +41 22 794 71 22 – Fax: +41 22 794 71 57
e-mail: contact@ptc-geneve.ch Web site: www.ptc-geneve.ch